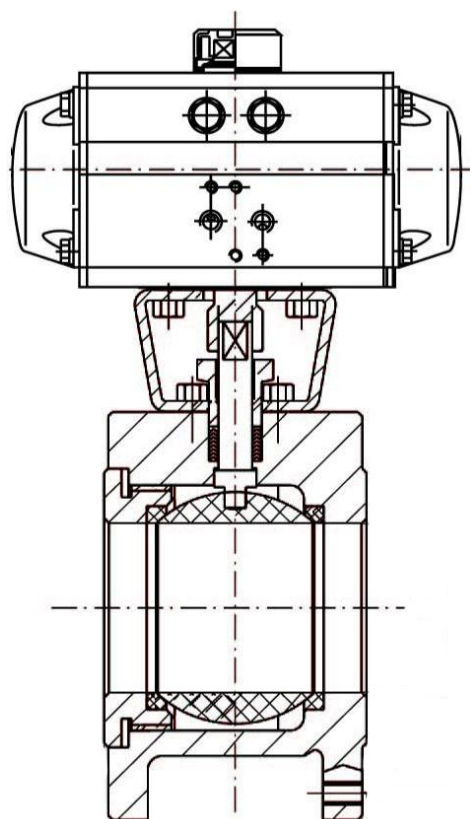


STANDARD SPECIFICATION

CHUANHU

气动超薄球阀

Pneumatic thin type ball valve



上海川沪阀门有限公司

ShangHai Chuanhu Valve CO.,LTD

概述

球阀具有极优切断性能。当阀门全开时其流路和管道内径基本相同，流体压力损失极小，因此最适合于各种液体、气体、料浆等流体的切断控制。

GENERAL

Ball valve has very excellent shut-off function. When all open it flows the road similar to path inside the piping basically, the fluid pressure lose smallest, so it is the most suitable for shut-off control of various liquid, air, slurry etc.

标准规格 STANDARD SPECIFICATION

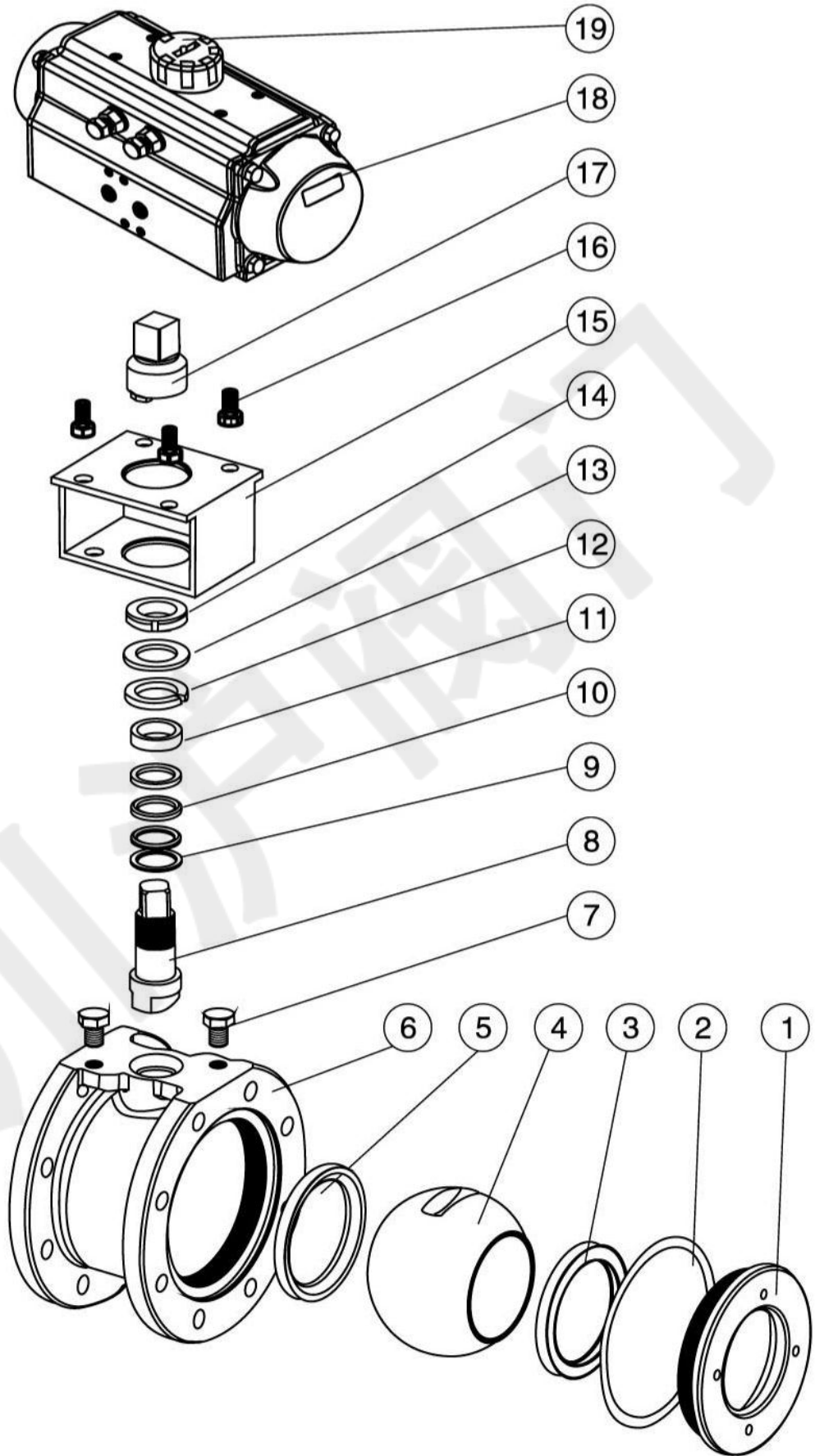
公称通径 Body size	DN15~150
公称压力 Body ratings	PN1.6,2.5,4.0 ANSI Class 150;
尺寸标准 Dimension standard	国标、美标 GB, American standard
阀体材质 Body material	碳钢 Carbon steel(WCB), 不锈钢 Stainless steel(CF8, CF8M, CF3, CF3M)
阀座材质 Seat material	聚四氟乙烯 (F)、对位聚苯 (PPL)、尼龙 (N)、硬质合金 (H、Y) PTFE, PPL, N, H, Y
作用方式 Mode of action	双作用、单作用 (弹簧复位) Double-acting/Single-acting type(spring reposition)
控制方式 Control	开关型、调节型 Switch type, Adjust type
附件选择 Selection of Accessories	电磁阀、定位器、限位开关、气源三联件、手动机构 Solenoid valve, Locator, Limit switch, F.R.L. COMBINATION UNIT, Manual Device

设计依据 Design Basis	GB 标准 Standard
设计标准 Design standard	G B/12237
结构长度 Face to face dimension	法兰连接 Flange connecting
连接法兰尺寸 Connecting Flange Size	CHQB 标准 Standard of CHQB
试验和检验 Test & inspection	GB/9113. JB/T79
	JB/T9092

※注：系列球阀结构长度及连接法兰尺寸可根据用户要求设计制造。

Note: The structural length and connecting flange size of ball valve series can be designed and manufactured as per users' requirements.

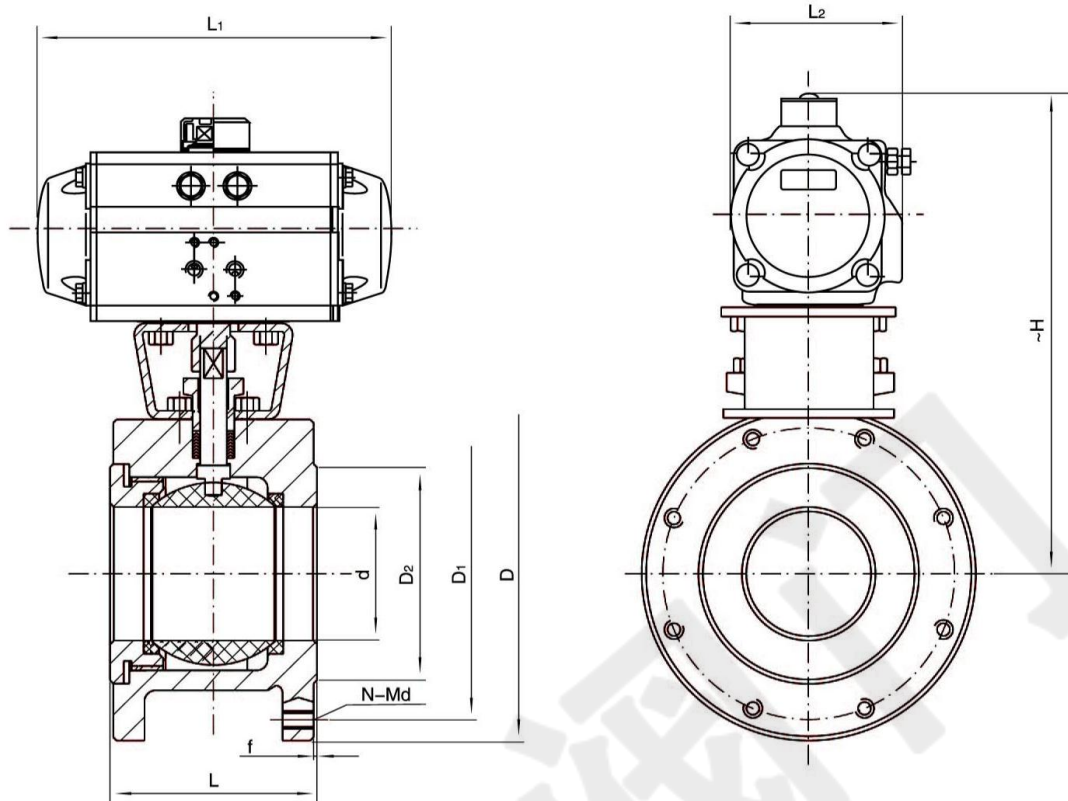
结构图和零件材质表 STRUCTURE AND MAIN MATERIAL TABLE



序号 No.	零件名称 Name of parts	材质 Material		
		c	P	R
1	阀盖 Bonnet	WCB	ZGICr18Ni9Ti	ZGICr18Ni12M02T
2	垫片 Gasket	PTFE、对位聚苯(PPL)		
3	阀座 Seat	PTFE、尼龙(N)、对位聚苯(PPL)		
4	球体 Ball	1Cr18Ni9Ti	1Cr18Ni9Ti	1Cr18Ni9Ti
5	阀座 Seat	PTFE、尼龙(N)、对位聚苯(PPL)		
6	阀体 Body	WCB	ZGICr18Ni9Ti	ZGICr18Ni12M02T
7	螺栓 Stud	35	1Cr18Ni9Ti	1Cr18Ni12M02Ti
8	阀杆 Stem	1Cr13	1Cr18Ni9Ti	1Cr18Ni12M02Ti
9	垫片 Gasket	1Cr18Ni9Ti	1Cr18Ni9Ti	1Cr18Ni12M02T;
10	填料 Packing	PTFE	PTFE	PTFE
11	衬套 Bushing	PTFE 复合轴承 Composite bearings		
12	弹垫 Spring Gasket	WCB	ZGICr18Ni9Ti	ZGICr18Ni12M02T
13	垫片 Gasket	35	1Cr18Ni9Ti	1Cr18Ni9Ti
14	螺母 Nut	35	1Cr18Ni9Ti	1Cr18Ni9Ti
15	连接支架 Connecting Yoke	1Cr18Ni9Ti	1Cr18Ni9Ti	1Cr18Ni9Ti
16	螺栓 Screw	35	1Cr18Ni9Ti	1Cr18Ni9Ti
17	连接套 Connecting Set	35	1Cr18Ni9Ti	1Cr18Ni9Ti
18	气动装置 Pneumatic Device	AT 系列 Series		
19	位置指示器 Location Indicator	塑料 Plastic		

※注：系列球阀主要零部件及密封圈的材质可根据实际工况条件或用户特殊要求设计选用。

Note: The main spare parts and sealing-ring materials of ball valve series can be designed for options as per real working conditions and users' special requirements

主要外形及连接法兰尺寸 MAIN OUTLINE AND CONNECTING FLANGE SIZE

PN16、PN25(1.6、2.5MPa) Dimension

公称通径 Nominal diameter DN	外形尺寸 Outline Size					连接法兰尺寸 Connecting Flange Size						执行器型号 Actuator Model
	d	L	L1	L2	—H	D	Di	D2	B	f	N-Md	
15	15	32	141/159	71/83	177/208	95	65	46	14	2	4-M12	AT050D/AT063S
20	20	38.5	141/159	71/83	182/213	105	75	56	14	2	4-M12	AT050D/AT063S
25	25	45	141/211	71/95	187/230	115	85	65	16	2	4-M12	AT050D/AT075S
32	29	55	159/211	83/95	223/243	140	100	76	16	3	4-M16	AT063D/AT075S
40	38	62	211/248	95/107	231/261	150	110	84	18	3	4-M16	AT075D/AT088S
50	46	72	248/269	107/123	258/293	165	125	99	20	3	4-M16	AT088D/AT100S
65	62	95	248/315	107/141	273/298	185	145	118	22	3	4-M16	AT088D/AT115S
80	76	120	269/345	123/152	303/325	200	160	132	24	3	8-M16	AT100D/AT125S
100	92	145	345/409	152/172	333/390	220	180	156	24	3	8-M16	AT125D/AT145S
125	110	200	409/438	172/187	380/468	250	210	184	26	3	8-M16	AT145D/AT160S
150	145	225	438/550	187/215	432/520	285	240	211	26	3	8-M20	AT160D/AT190S

※注：连接法兰尺寸可根据 ANSI、JIS 标准或用户要求设计制造。

※注：L1 数据 XXX/XXX 分别是气动执行器双作用式，单作用式（弹簧复位）。

※注：根据不同阀门扭矩、使用介质适配的执行器型号可能有所不同，相关尺寸随之变化。

订货须知 ORDERING INFORMATION

代号 Code	材料 Material	适用温度(°C)Applicable Temperature
F	增强聚四氟乙烯 Reinforced Polytetrafluoroethylene(PTFE)	-40-180
PPL	对位聚苯 Polyparaphenylene	-40-300
N	尼龙 Nylon	-20-80
Y	硬质合金 Hard Alloy	-40-425

根据不同控制和要求可选择下列附件：

切断型附件：单电控电磁阀、双电控制电磁阀、限位开关回讯器。

调节型附件：电-气定位器、电气转换器。

气源处理附件：空气过滤减压阀、气源处理三联件。

手动机构：XLHJ 系列

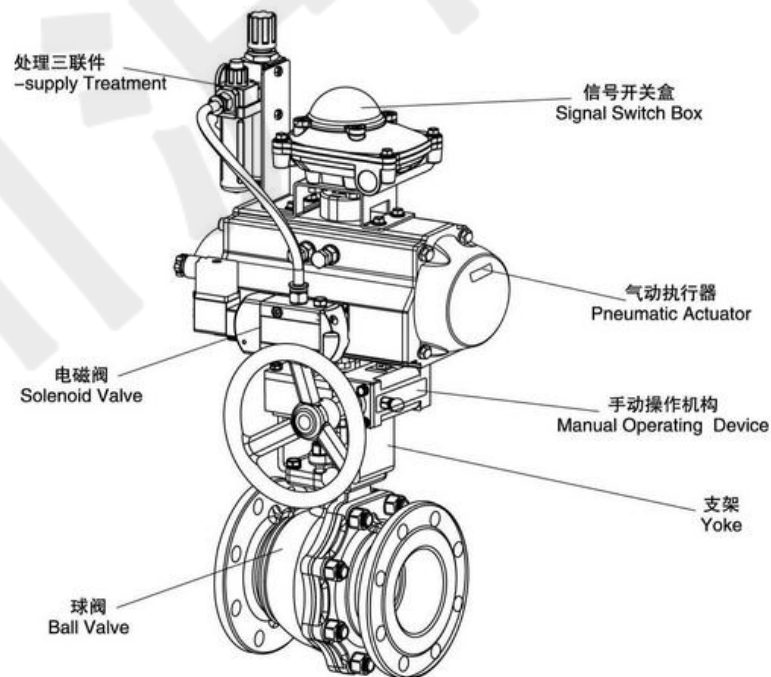
According to the different control and the request can choose the following accessories:

Shut-off Accessories: Single electrically-controlled magnetic valve. Double electrically-controlled Solenoid valve. signal saver of limit switch

Adjusting Accessories: EP/PP-positioner. electric-pneumatic converter.

Air-supply Treatment Accessories: air-filtering reducing valve. F.R.L. COMBINATION UNIT.

Manual Device: XLHJ Series





地址：上海市奉贤区金汇工业园金碧路 358 号
电话：86-021-5186 3046
传真：86-021-5186 3049
邮箱：chvalve@126.com
邮编：210404
网址：<http://www.chuanhuvalve.com>

Add: Shanghai Fengxian District Jinhui Industrial Garden Jinbi Road No. 358
Tel: 86-021-5186 3046
Fax: 86-021-5186 3049
Mail: chvalve@126.com
Code: 210404
Website: <http://www.chuanhuvalve.com>

